

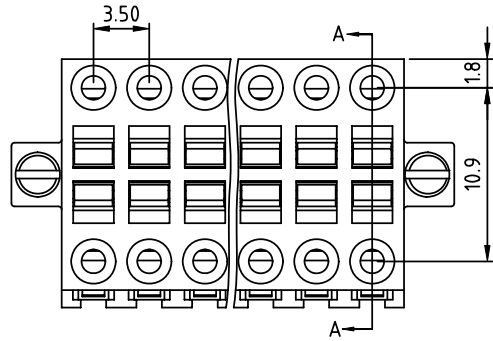
| | |
|----------------|---------|
| PRODUCT NUMBER | PITCH |
| VWxx10x100J0G | 3.50 mm |

N=Number of poles

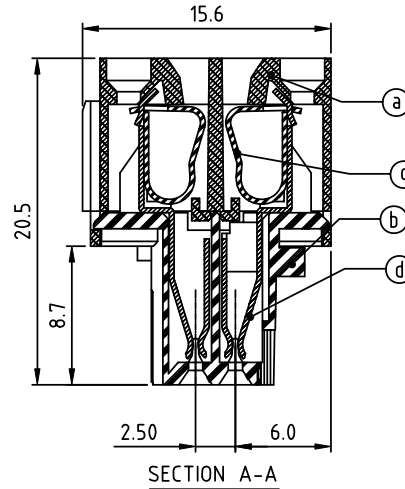
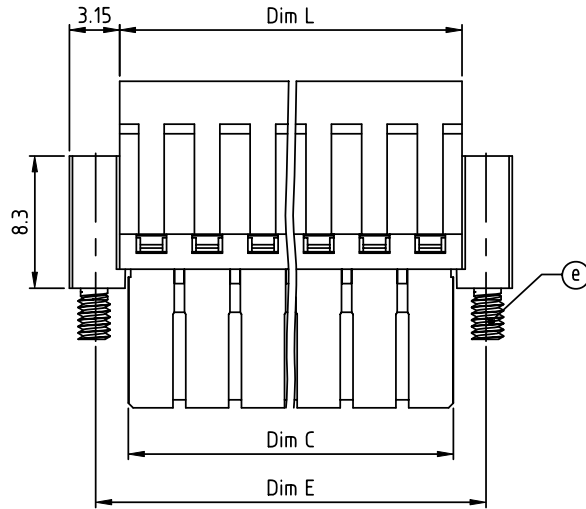
| |
|------------------------|
| Dim L=(N/2-1)×3.5+4.0 |
| Dim P=(N/2-1)×3.5 |
| Dim C=N/2×3.5-0.6 |
| Dim D=(N/2-1)×3.5+10.3 |
| Dim E=(N/2-1)×3.5+7.0 |

PART NO.: VW xx 1 0 x 1 00J0 G

| | | | |
|---------------|-----|--------------------|-----------------|
| solid block | 0 | Color | RoHS compliant |
| No. of poles | 2 | Black (RAL9005) | (lead<4%) |
| 04 2x2 poles | 3 | Red (RAL3001/D) | In copper Alloy |
| 06 2x3 poles | 4 | Orange(RAL2011/P) | |
| ... | ... | Yellow(RAL1018/A) | |
| ... | ... | Green(RAL6018/T) | |
| 48 2x24 poles | 6 | Blue (RAL5015/A) | |
| | | 8 Grey(RAL7035/D) | |
| | | 9 White(RAL1102) | |
| | | C Green(RAL6018/U) | |



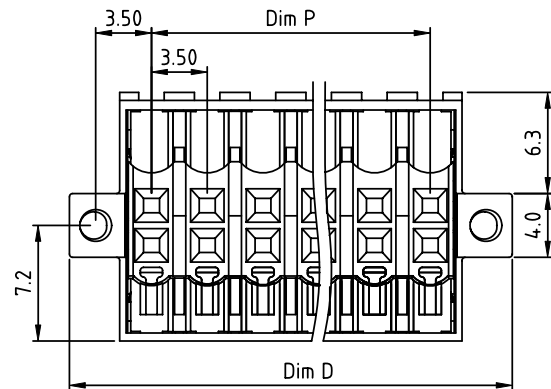
| POLES | Dim L | Dim P | Dim C | Dim D | Dim E |
|-------------|-------|-------|-------------------------------|-------|-------|
| 2x2p-2x6p | ±0.15 | ±0.10 | ⁰ _{-0.15} | ±0.10 | ±0.15 |
| 2x7p-2x12p | ±0.25 | ±0.20 | ⁰ _{-0.20} | ±0.20 | ±0.25 |
| 2x13p-2x18p | ±0.30 | ±0.25 | ⁰ _{-0.25} | ±0.25 | ±0.30 |
| 2x19p-2x24p | ±0.40 | ±0.35 | ⁰ _{-0.30} | ±0.35 | ±0.40 |



Material:

- Item@Tob body:Thermoplastic (UL94V-0)
- Item@Bottom body:Thermoplastic (UL94V-0)
- Item@Spring clamp:Stainless steel
- Item@Female contact:PhBz,Tin plated
- Item@With flange screw:steel M2.0 Zinc plated "-" slot type

| | |
|-------------------------|-----------------|
| Electrical | cULus |
| ●Voltage rating: | 150V |
| ●Current rating: | 7A |
| ●Solid wire(AWG): | 18-28 |
| ●Stranded wire(AWG): | 18-28 |
| ●Wire strip length: | 7-8mm |
| ●Withstanding Voltage: | 1.6KV |
| ●Operating temperature: | -40°C to +115°C |
| ●Safety Approval: | cULus |



| | | | | | |
|-------------|-----------------------|-------------------------|------------|----------------------------------|---|
| mat'l. code | surface ASME Y14.5 | tolerance ASME Y14.5 | projection | product family TERMINAL BLOCK | |
| ltr | ecn | no | dr | date | title TERMINAL BLOCK |
| | | | | | SPRING CLAMP,PLUGGABLE PLUG,WITH FLANGE |
| | | | | | scale |
| | | | | | MM |
| | | | | | scale |
| | | | | | FCI |
| | | | | | dwg no |
| | | | | | sheet 1 of 1 |
| | | | | | size |
| | | | | | VWxx10x100J0G |
| | | | | | A4 |
| | | | | | type |
| | | | | | CUSTOMER Drawing |
| sheet index | revision | A | | | |
| | sheet | 1 | | | |