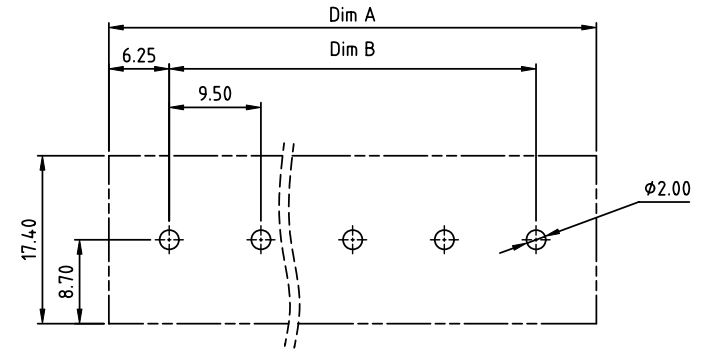
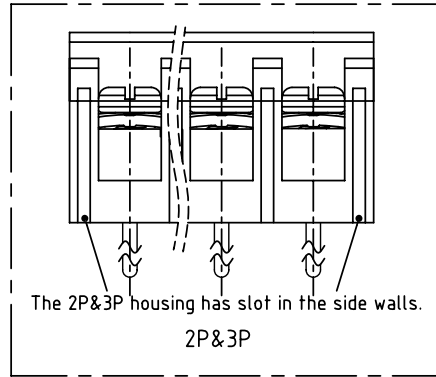
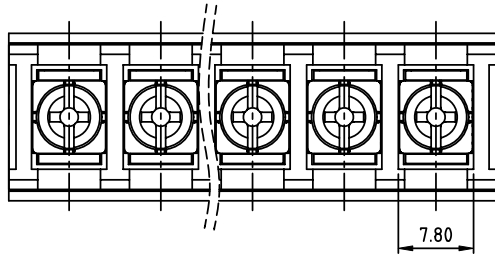
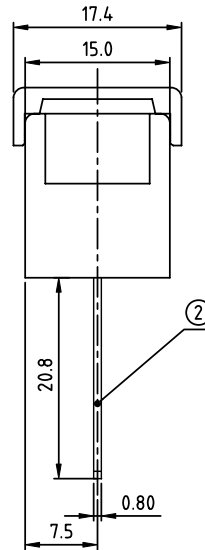
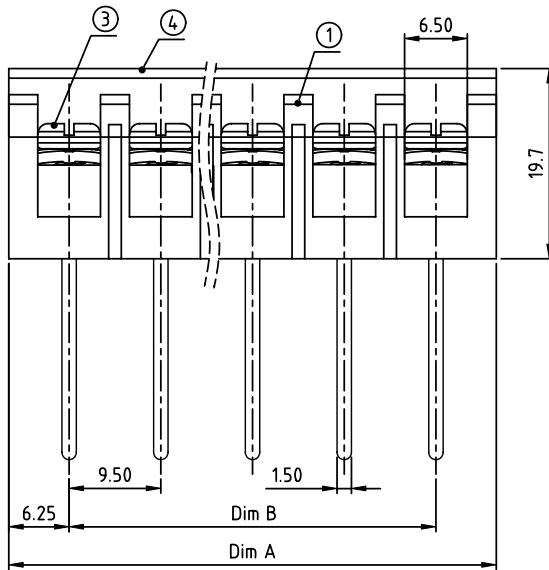


PRODUCT NUMBER	PITCH
YK502xx2x0J0G	9.50 mm



RECOMMENDED P.C.B LAYOUT
TOP VIEW



- MATERIALS & ELECTRICAL
- | | |
|-----------------------------|-------------------------------------|
| RATED VOLTAGE & CURRENT: | 300 V, 20 A |
| WITHSTAND VOLTAGE: | AC 2000 V/Min |
| INSULATION RESISTANCE: | 1000 M Ω OR MORE AT DC 500 V |
| OPERATING TEMPERATURE RANG: | -40 °C ~ +115 °C |
| SCREW TORQUE VALUE: | 12 Lb-in. |
| WIRE RANGE: | 22 - 12AWG |
| 1) HOUSING: | THERMOPLASTIC, UL 94 V-0 BLACK |
| 2) TERMINAL: | BRASS, 0.8t |
| 3) TERMINAL SCREWS: | STEEL, M3.5 |
| 4) COVER MATERIAL: | PC |
- APPROVAL: us

DIMENSION

Dim A	N \times 9.5+3.0
Dim B	(N-1) \times 9.5

N=Number of poles

Poles	Tolerance
2p-4p	± 0.20
5p-10p	± 0.30
11p-24p	± 0.40
25p-30p	± 0.60

PART NO.: YK 502xx 2 x 0 J0G

- No. of poles
- 02 2 poles
 - 03 3 poles
 -
 - 30 30 poles

Plated

Code	Terminal	Screw
0	G/F	G/F
1	G/F	Zinc
2	Tin	G/F
3	Tin	Zinc

RoHS compliant
(lead<4%)
In copper Alloy

mat'l. code		surface ASME Y14.5	tolerance ASME Y14.5	projection	product family
ltr	ecn no	dr	date		TERMINAL BLOCK
				MM	title
				scale	TERMINAL BLOCK
					BARRIER TYPE, WITH COVER
					dwg no
					sheet 1 of 1
					size
					A4
					type
					CUSTOMER Drawing
sheet index	revision	A			
	sheet	1			