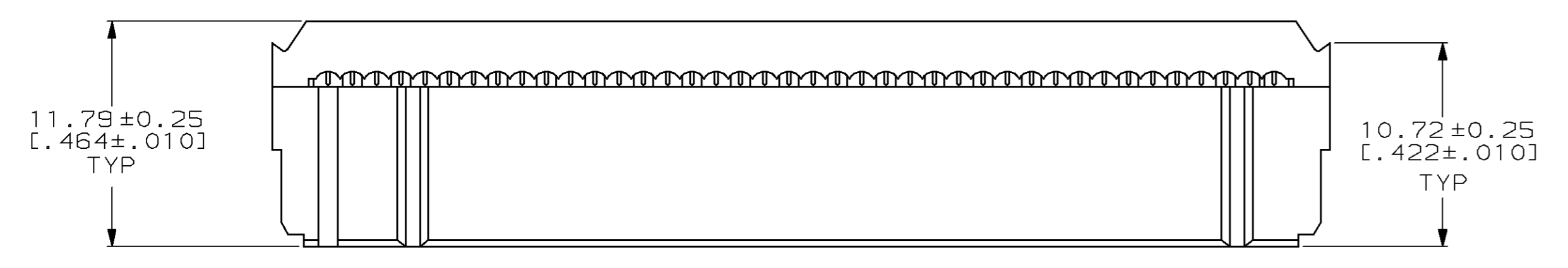
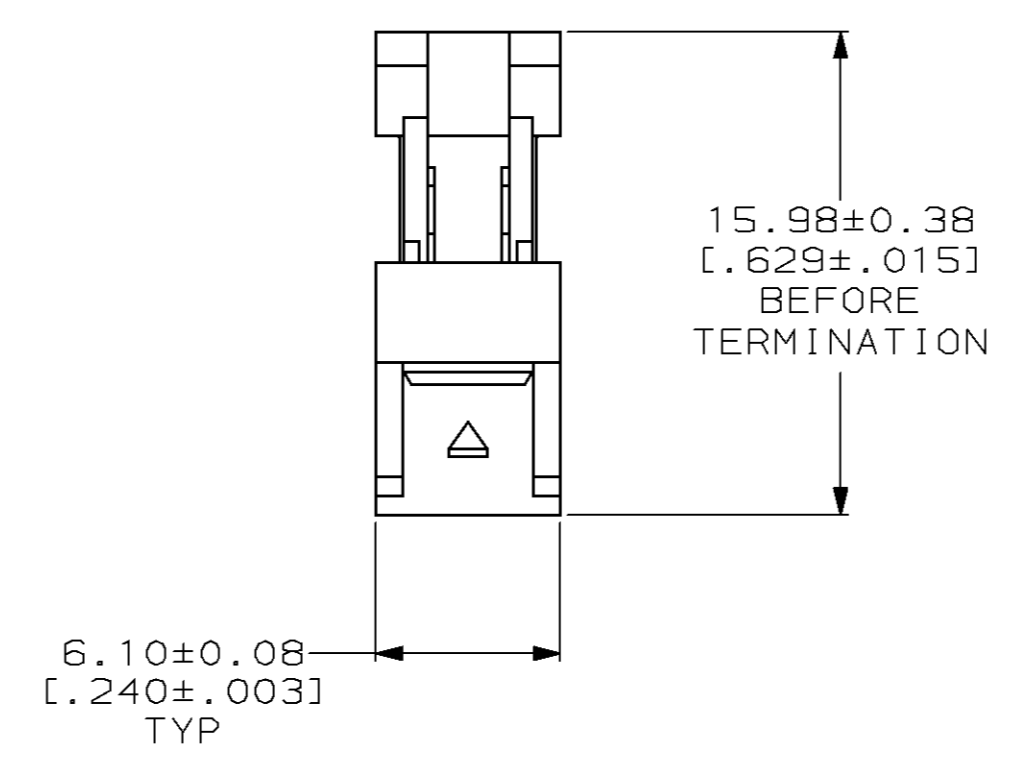
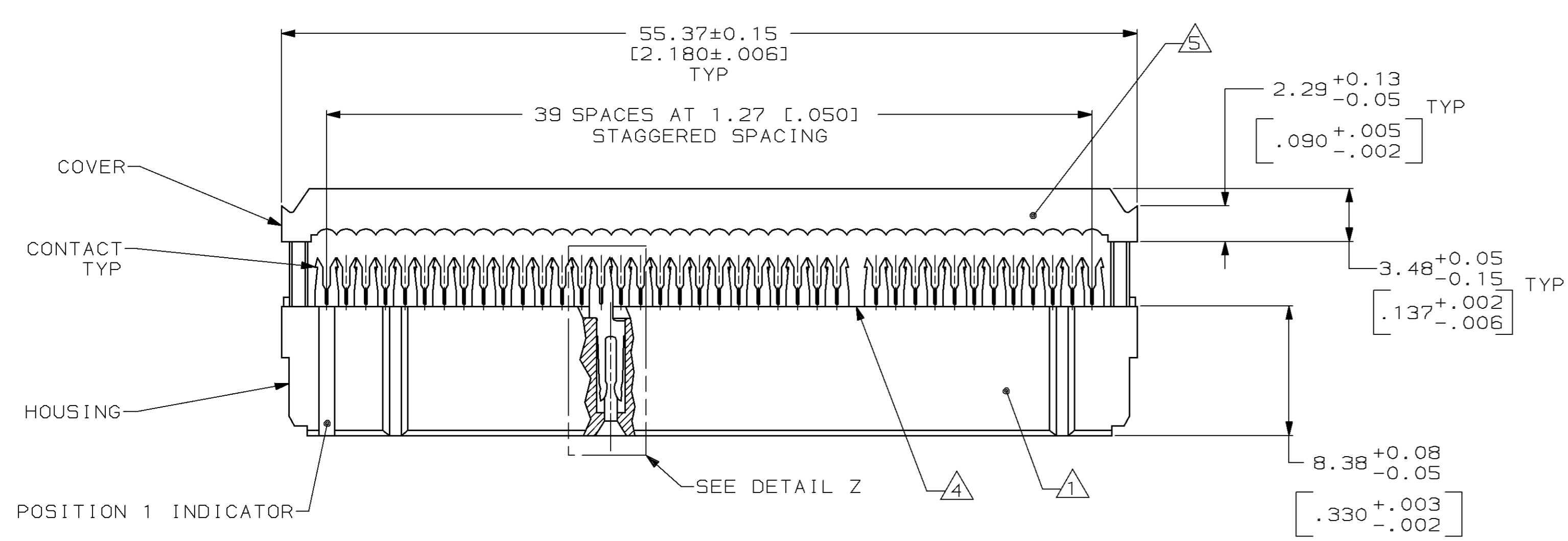
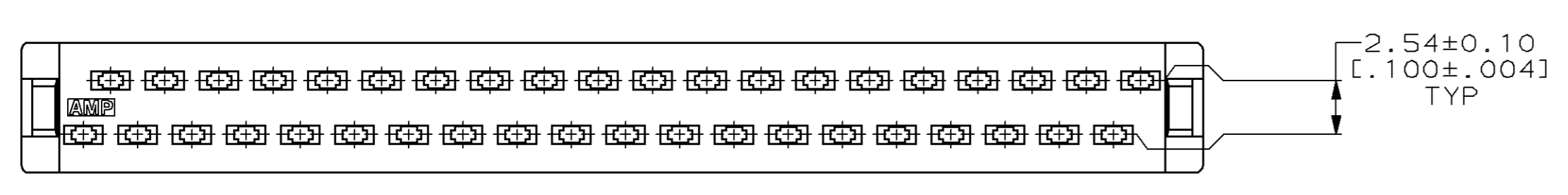
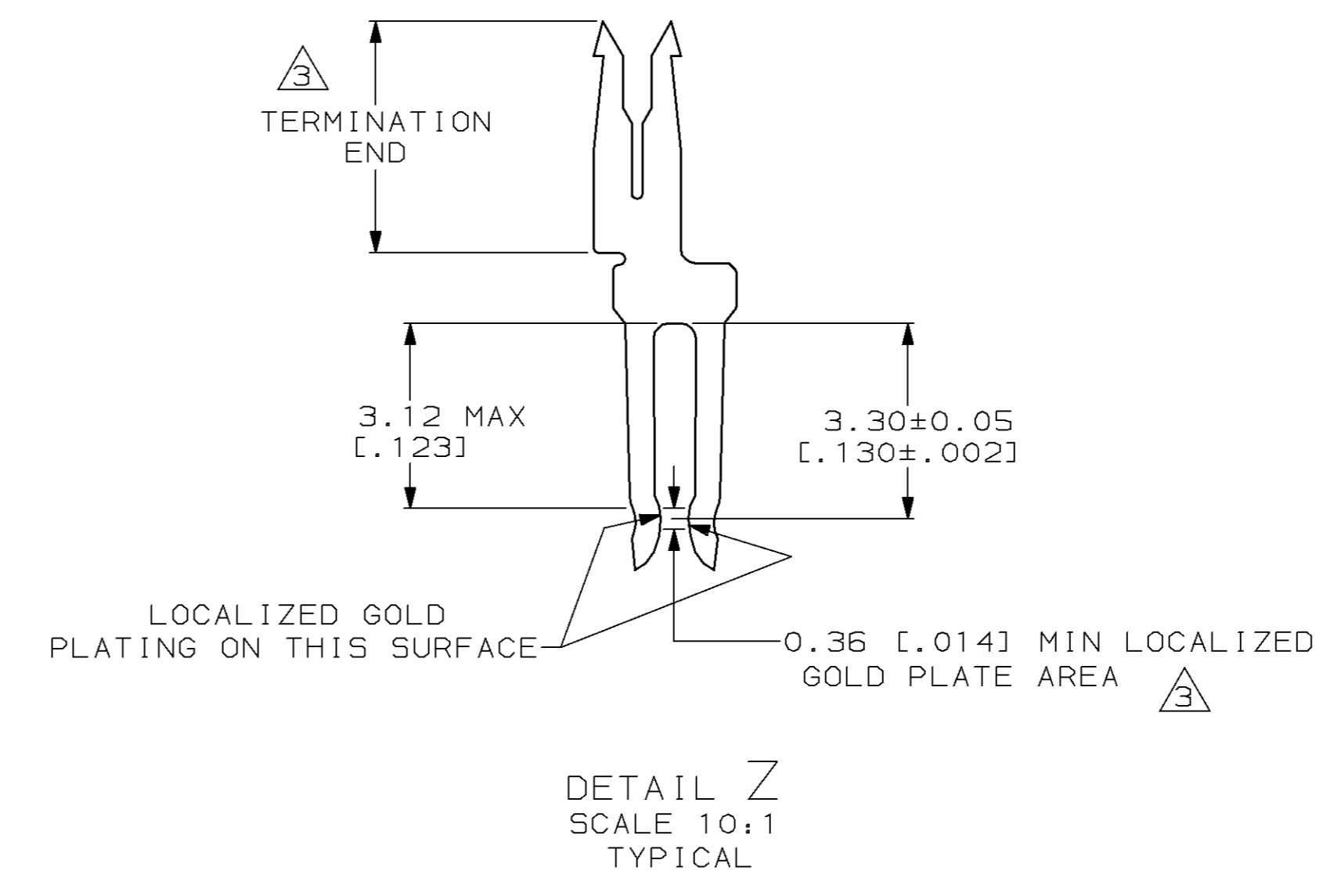


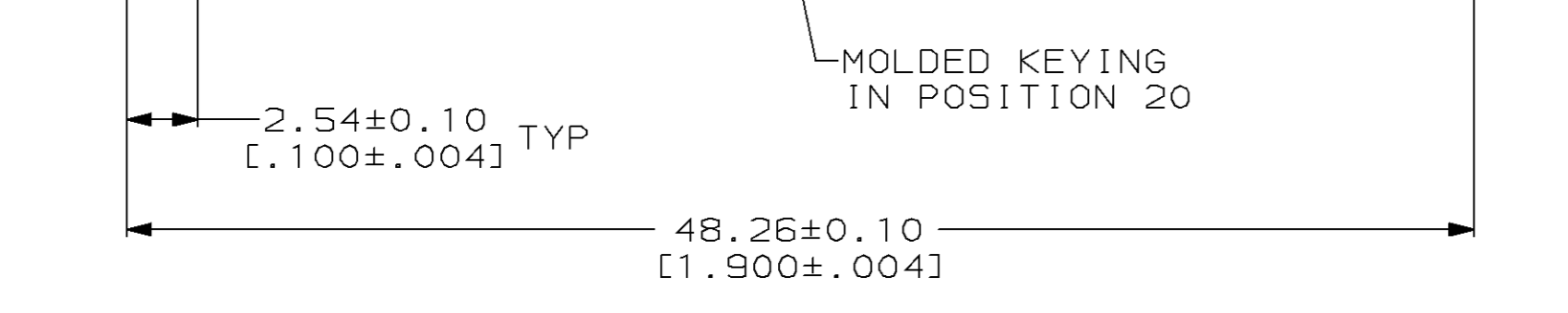
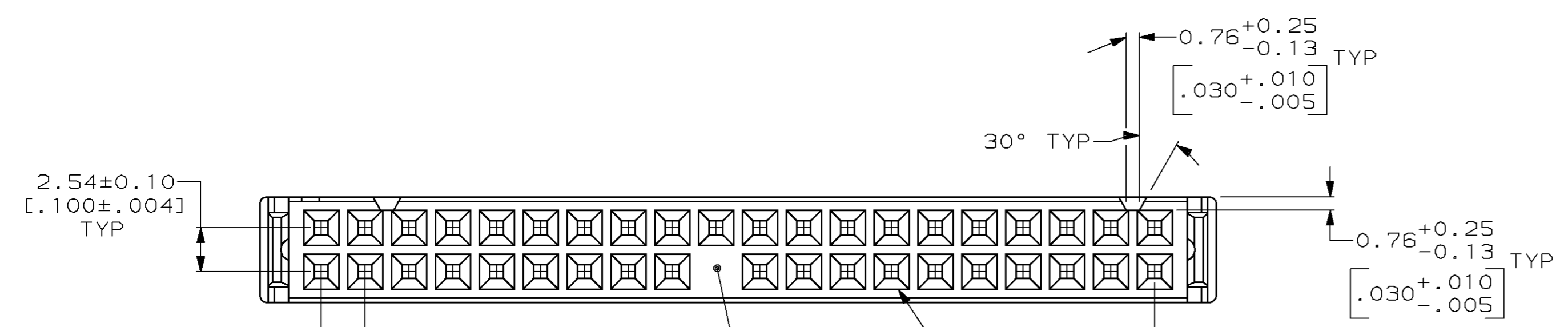
LOC		DIST		P		ZONE		LTR		REVISIONS		DATE	APPD
AR	35									DESCRIPTION			
										0	RLSE PER NPR 5236 WAS 94-5730-19-1	10/07/94	-
										A	REV PER EC 0020-0378-95	05/08/95	AM



TERMINATED VIEW



- ① HOUSING: POLYESTER PBT, BLACK, UL RATED 94V-1 OR BETTER.
- ② PHOSPHOR BRONZE PER QQ-B-750.
- ③ 0.38μm [0.000015] MIN GOLD ON LOCALIZED GOLD PLATE AREA, 2.54μm [0.000100] MIN TIN-LEAD ON TERMINATION END, ALL OVER 1.27μm [0.000050] MIN NICKEL ON ENTIRE CONTACT.
- ④ NO CONTACT IN POSITION 28.
- ⑤ COVER: POLYESTER PBT, GRAY, UL RATED 94V-1 OR BETTER.



40	111891-1
NO. OF POSN	PART NUMBER

DO NOT SCALE PRINT. UNLESS SPECIFIED DIMENSIONS IN mm [INCHES] TOLERANCES: ON: 2 PLC DEC ± 0.13 [0.005] 3 PLC DEC ± - ANGLES ± 4°		DR 11/17/94 K.FOLTZ	AMP Incorporated Harrisburg, PA 17105-3608		
MOLDED PARTS: ① ⑤ CONTACTS: ②		CHK 11/17/94 R.STONE			
FINISH CONTACTS: ③		APPD 11/21/94 D.KELLER	NAME		
		APPD 4/24/95 A.MCMULLIN	RECEPTACLE ASSEMBLY, MILITARY POLARIZATION, NOVO, AMP-LATCH™		
		PRODUCT SPEC 108-40000	SIZE D	CAGE CODE 00779	DRAWING NO. C-111891
		APPLICATION SPEC 114-40005	SCALE 4:1	SHEET 1 OF 1	
		WEIGHT -	CUSTOMER DRAWING		

THIS DRAWING IS A CONTROLLED DOCUMENT FOR AMP INCORPORATED. IT IS SUBJECT TO CHANGE AND THE CONTROLLING ENGINEERING ORGANIZATION SHOULD BE CONTACTED FOR THE LATEST REVISION.