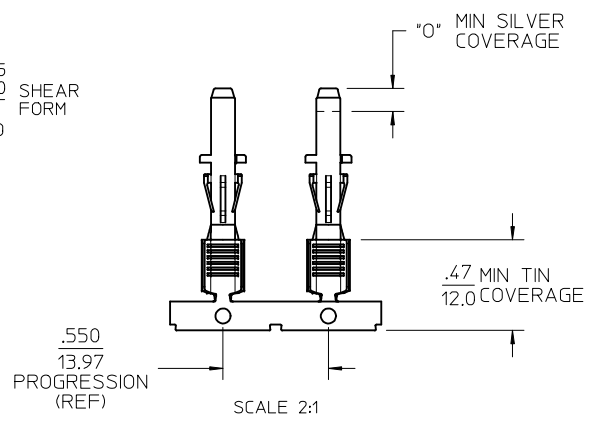
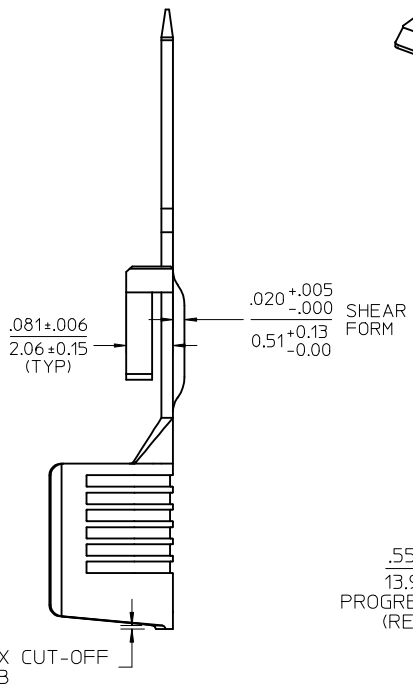
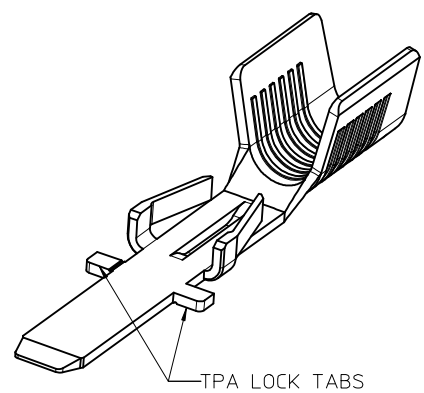
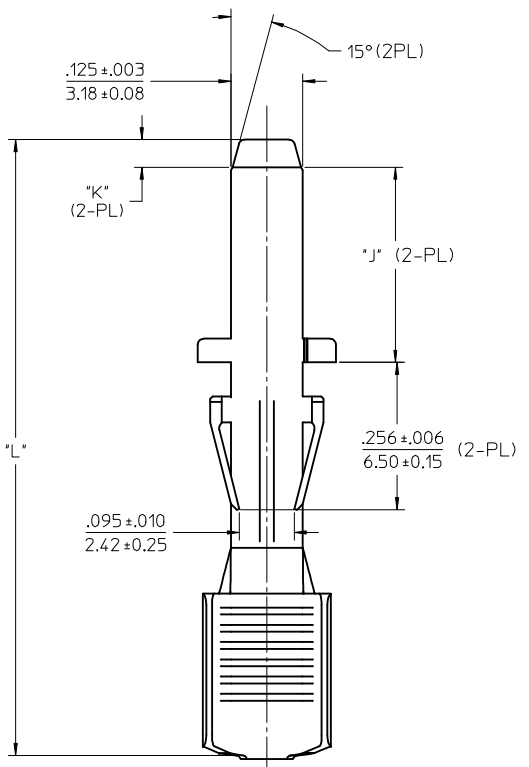
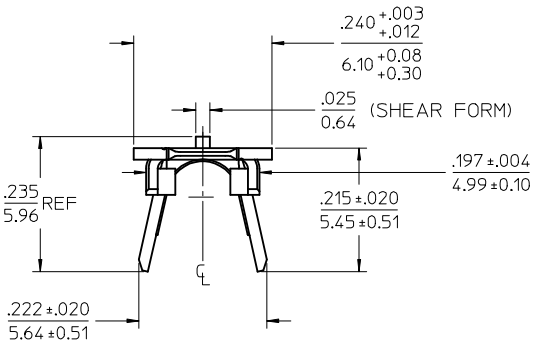


STYLE	P/N	J	K	L	O
STANDARD	171826-0100	.339/8.61	.048/1.22	1.261/32.02	.12/3.0
FINGER-PROOF	171826-0200	.301/7.65	.031/0.79	1.206/30.63	.07/1.7



- NOTES:
1. MATERIAL: .020/0.51 THICK HSM COPPER.
 2. FINISH: SELECT SILVER (.000100/0.00254 MIN) & SELECT MATTE TIN (.000100/0.00254 MIN) OVER NICKEL OVERALL.
 3. PRODUCT SPECIFICATION: PS-171825-001.
 4. PACKAGING: PK-171826-001 (PENDING).
 5. MATES WITH: 171825 FEMALE CRIMP TMLS, FOR USE IN 172673/43680 PLUG HSGS.
 6. SINGLE CRIMP TO 10 OR 12AWG STRANDED COPPER WIRE. TINNED WIRE RECOMMENDED.
 7. TERMINALS INDICATED AS "FINGER-PROOF" ARE DESIGNED TO MINIMIZE ACCESSIBILITY TO LIVE PARTS PER UL1977 AND UL60950 (FORMERLY UL1950) FINGER PROBE REQUIREMENTS.

ADD -0200 EC NO: UCP2015-2458 DRWN: DFOX 2015/01/15 CHKD: BANDERSON 2015/01/15 APPR: FSMITH 2015/01/22	QUALITY SYMBOLS ▽=0 ▽=0 ▽=0	GENERAL TOLERANCES (UNLESS SPECIFIED)		DIMENSION STYLE IN/MM		SCALE 6:1	DESIGN UNITS INCH	THIRD ANGLE PROJECTION	
		mm	INCH	DRAWN BY GES	DATE 2013/04/02	TITLE SUPER-SABRE MALE CRIMP TERMINAL			
REV B	DESCRIPTION	4 PLACES	± ---	± ---	CHECKED BY BANDERSON	DATE 2013/04/02	molex		DOCUMENT NO. SD-171826-001
		3 PLACES	± ---	± .010	APPROVED BY FSMITH	DATE 2013/10/09			
		ANGULAR ±1/2°		SEE CHART					
		DRAFT WHERE APPLICABLE MUST REMAIN WITHIN DIMENSIONS		THIS DRAWING CONTAINS INFORMATION THAT IS PROPRIETARY TO MOLEX INCORPORATED AND SHOULD NOT BE USED WITHOUT WRITTEN PERMISSION					