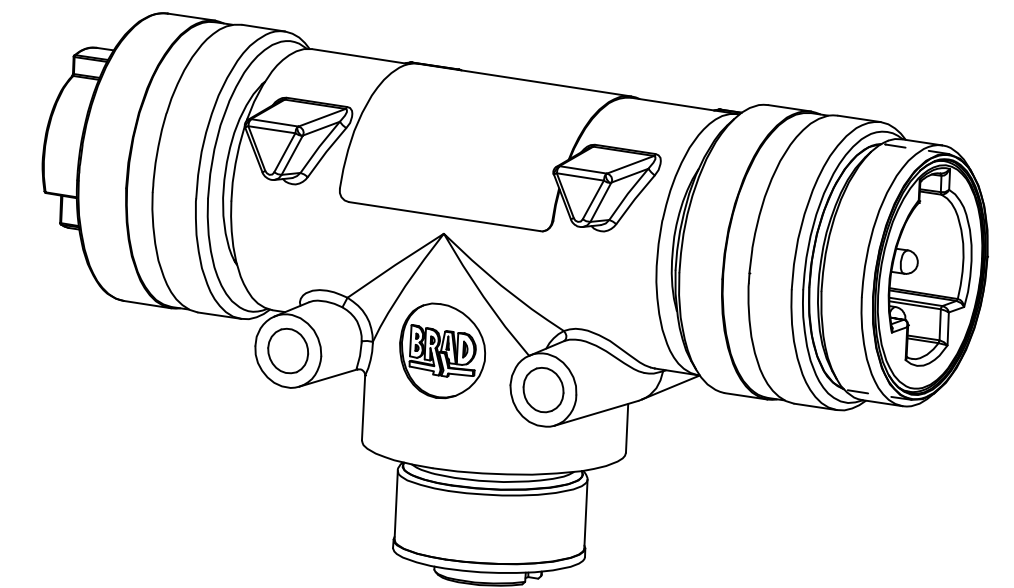
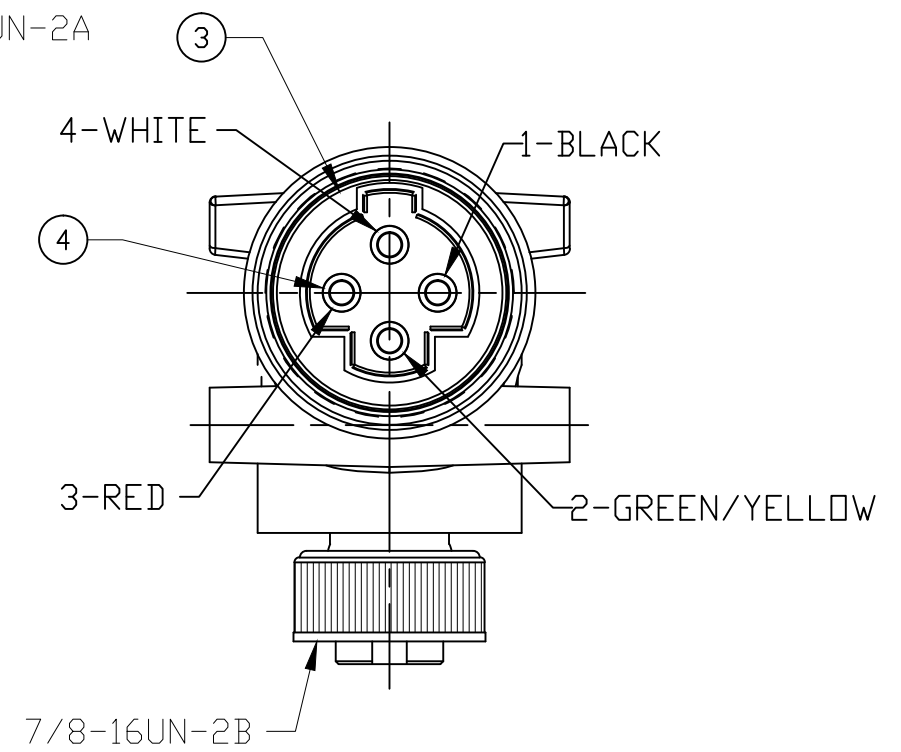
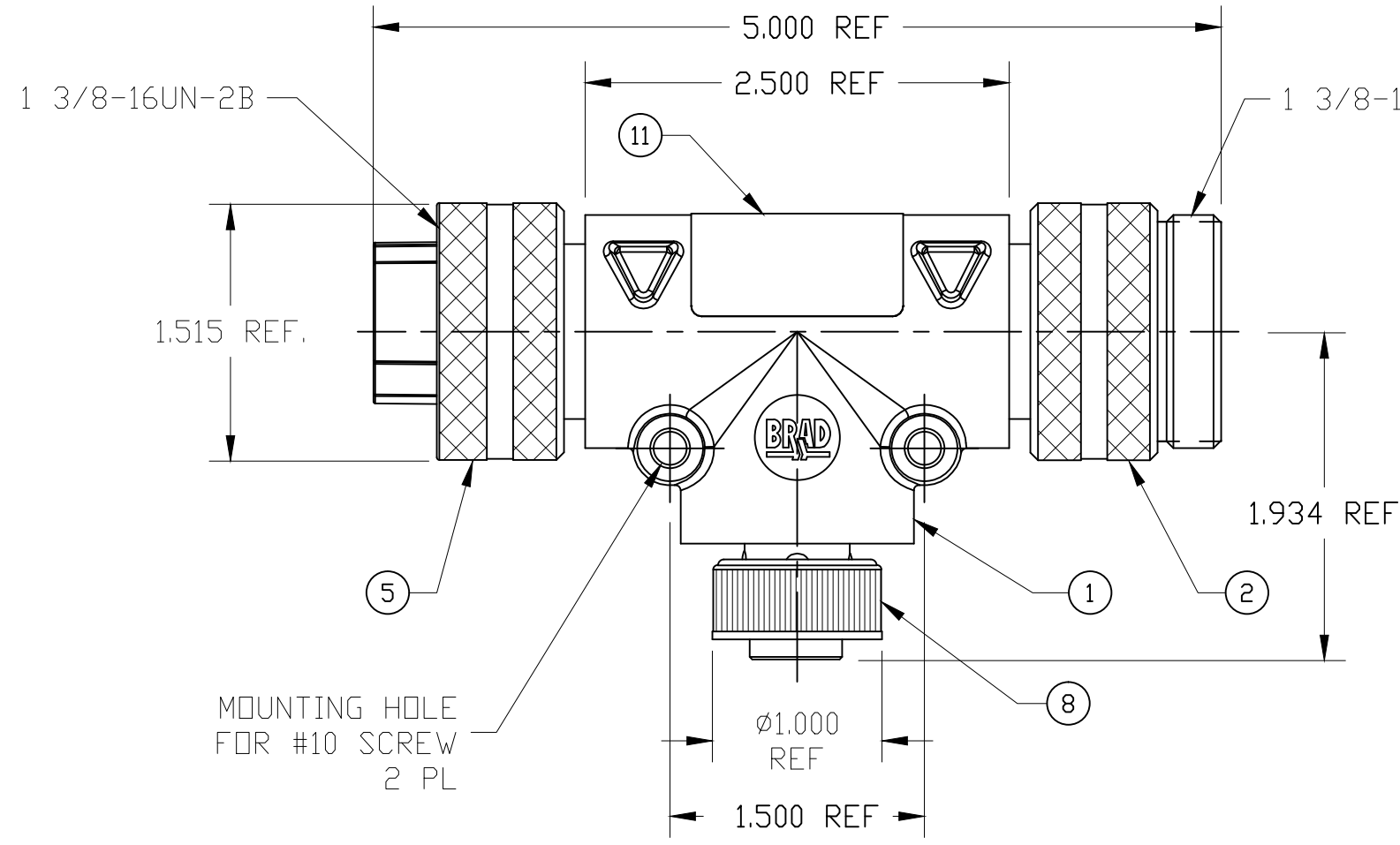
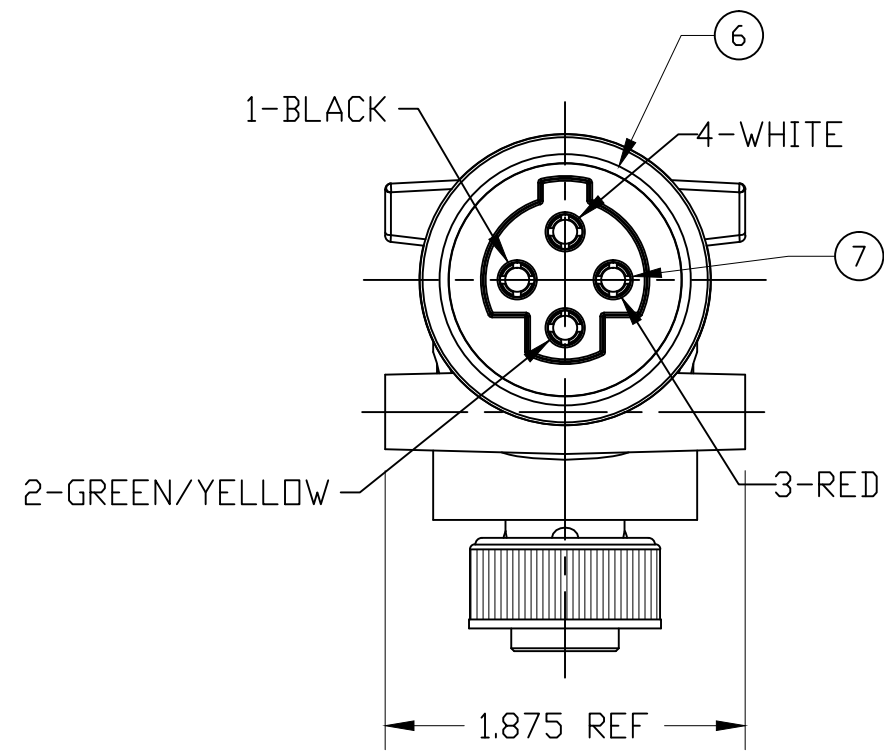
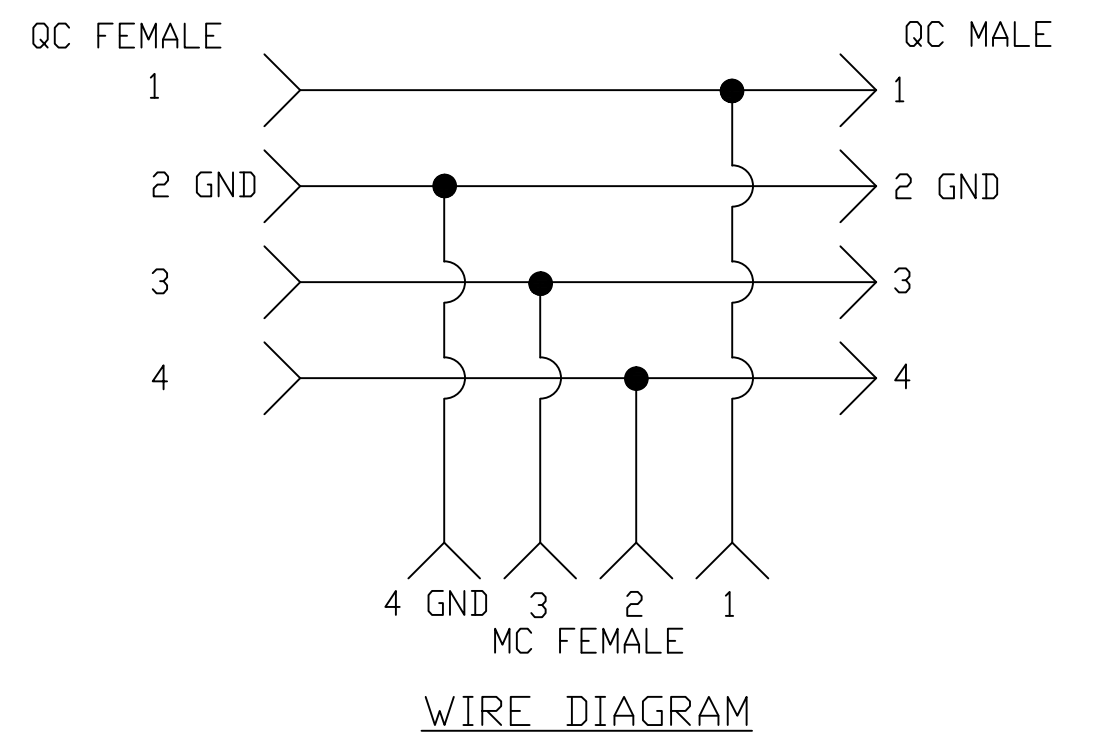
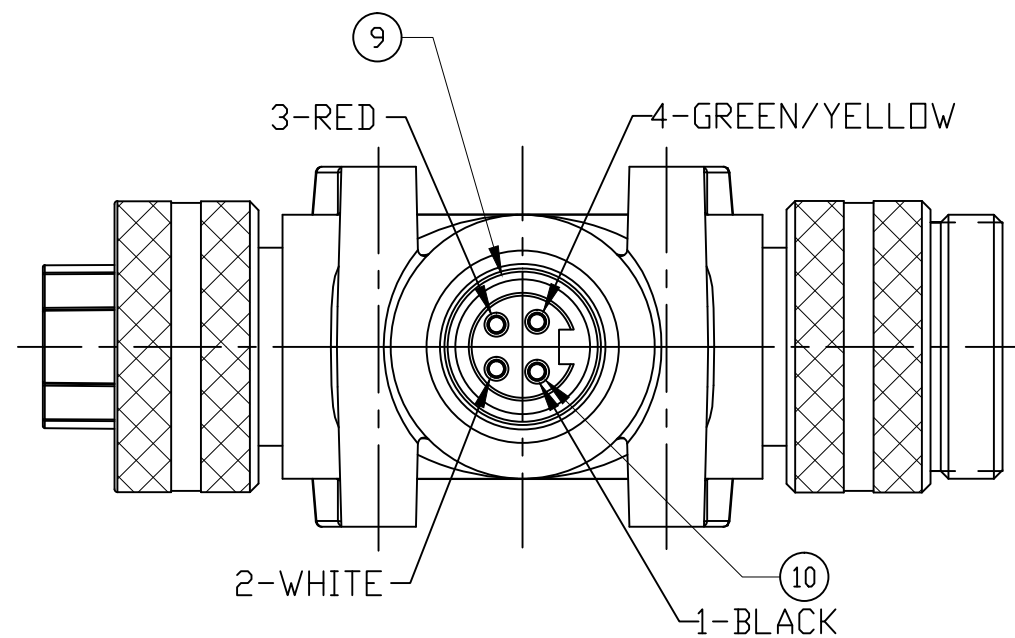


PART NUMBER	ENGINEERING NUMBER
1300680082	TC41140-200



- NOTES:**
- MATERIAL: AS NOTED
 - FINISH: AS NOTED
 - ELECTRICAL:
VOLTAGE: 480V PER IEC60664
600V PER UL2237
MAX THRU CURRENT: 32A
MAX DROP CURRENT: 15A
 - TEMP RATING: -20° TO +90°C
 - PROTECTION: IP67 (WHEN MATED)
 - CERTIFICATION:
UL LISTED/CSA CERTIFIED FILE NO: E258922



11	LABEL	POLYESTER	BLACK/DRANGE
10	MC SOCKET CONTACT	COPPER ALLOY	GOLD PLATED
9	MC FEMALE INSERT	PVC	BLACK
8	MC COUPLING NUT	ZINC ALLOY	BLACK E-COAT
7	QC SOCKET CONTACT	COPPER ALLOY	GOLD PLATED
6	QC FEMALE INSERT	PVC	BLACK
5	QC FEMALE COUPLING NUT	ALUMINUM	BLACK ANODIZE
4	QC PIN CONTACT	COPPER ALLOY	GOLD PLATED
3	QC MALE INSERT	PVC	BLACK
2	QC MALE COUPLING NUT	ALUMINUM	BLACK ANODIZE
1	OVERMOLD	PVC	BLACK
ITEM	DESCRIPTION	MATERIAL	FINISH

REV'D NOTE 3, COLORS EC NO: IPG2017-0829 DRWN: RSTONE 3/3/17 CH'KD: K COX 2017/03/10 APPR: BWOODMAN 2010/01/15	QUALITY SYMBOL ▽=0 ▽C=0	GENERAL TOLERANCES (UNLESS SPECIFIED) 4 PLACES ±--- ±--- 3 PLACES ±--- ±--- 2 PLACES ±--- ±--- 1 PLACE ±--- ±--- ANGULAR ±---°	DIMENSION STYLE INCH DRAWN BY DATE KJOZWIK 2010/01/14 CHECKED BY DATE BWOODMAN 2010/01/14 APPROVED BY DATE JFMURPHY 2010/01/15	SCALE 1:1 DESIGN UNITS INCH THIRD ANGLE PROJECTION	TITLE BRAD POWER QC 4 POLE TEE W/4 POLE MC DROP MOLEX INCORPORATED DOCUMENT NO. SD-130068-011 SHEET NO. 1 OF 1
	DRAFT WHERE APPLICABLE MUST REMAIN WITHIN DIMENSIONS		MATERIAL NO. SEE TABLE	THIS DRAWING CONTAINS INFORMATION THAT IS PROPRIETARY TO MOLEX INCORPORATED AND SHOULD NOT BE USED WITHOUT WRITTEN PERMISSION	
	SIZE C				