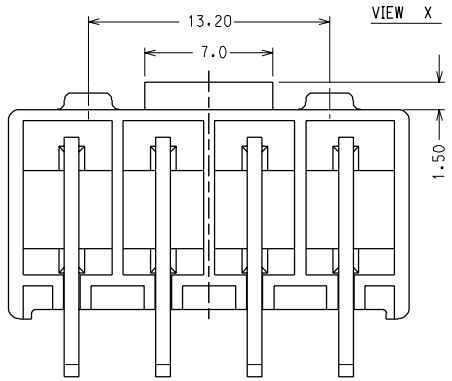
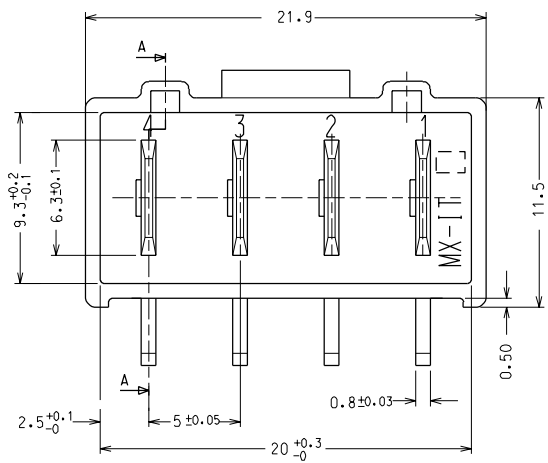
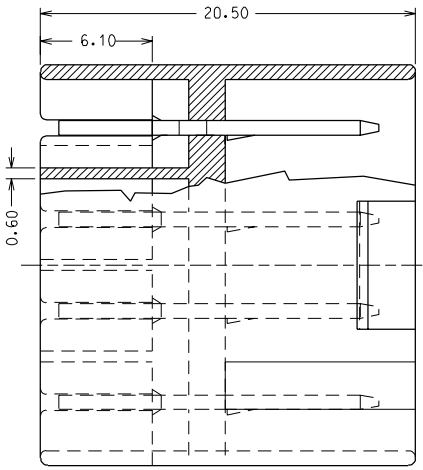
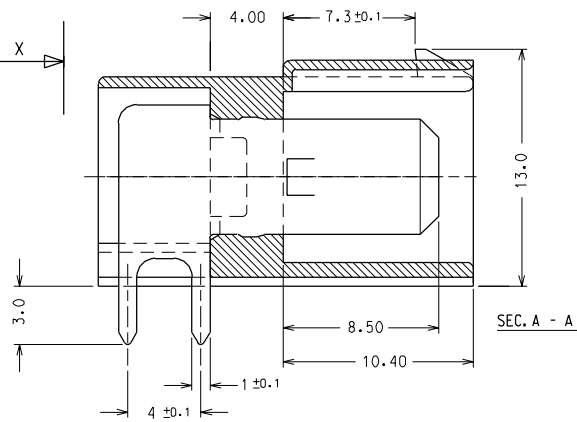


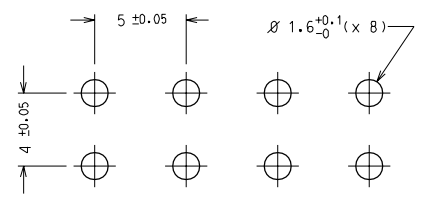
8 7 6 5 4 3 2 1



VIEW X



FORATURA SU C.S.  
SUGGESTED PCB LAYOUT



CODICE ART./P/N	COLORE / COLOR
94213-1004	BIANCO / WHITE
94213-1014	NERO / BLACK

MATERIALE:  
BLOCCHETTO: NYLON 6.6 HB  
MASCHIO: OTTONE STAGNATO

MATERIAL:  
HSG: NYLON 6.6 HB  
TERMINAL: TIN PLATED BRASS

CONFEZIONE:  
BOX DA 2000 pz.

PKG:  
CARDBOARD BOXES: 2000 pcs/ea

F  
E  
D  
C  
B  
A

F  
E  
D  
C  
B  
A

8 7

A1	ECN 74-043 24-02-94 G.F.	DIMENSIONS SHOWN (METRIC) INCH UNLESS OTHERWISE SPECIFIED TOLERANCES ANGULAR ± 2° INCH (METRIC)	DRWG BY Gottardo						
	ECN Z3-179 01-12-93 G.F. Emissione dis.definitivi.								
A	REVISIONS	<table border="1"> <tr> <td>3 PLACE ±</td> <td></td> </tr> <tr> <td>2 PLACE ±</td> <td>± 0.15</td> </tr> <tr> <td>1 PLACE ±</td> <td>± 0.25</td> </tr> </table>	3 PLACE ±		2 PLACE ±	± 0.15	1 PLACE ±	± 0.25	CHK'D BY
3 PLACE ±									
2 PLACE ±	± 0.15								
1 PLACE ±	± 0.25								
LTR	DESIGN DIMENSION (PRIMARY) <input type="checkbox"/> (MM) <input type="checkbox"/> IN	APP'D BY Previato	SCALE 4 : 1						
	EQUIVALENT DIMENSION (SECONDARY) <input type="checkbox"/> (MM) <input type="checkbox"/> IN.								

REVISE ONLY ON CAD SYSTEM		SH.	REV.
CADCAM FILENAME 9421310S	THIS DRAWING CONTAINS INFORMATION THAT IS PROPRIETARY TO MOLEX INC AND SHOULD NOT BE USED WITHOUT WRITTEN PERMISSION		
TITLE CONNETTORE A 4 VIE CON MASCHI DA 6.3 X 0.8 PER C.S. 4 CKT PCB R/A CONNECTOR (6.3 x 0.8 TABS)			
MOLEX MOLEX INCORPORATED		SHEET NO. DATE 1/1 05-10-92	
PART NO. vedi tabella see table	DWG NO. SD 94213-10XX M	SIZE B	