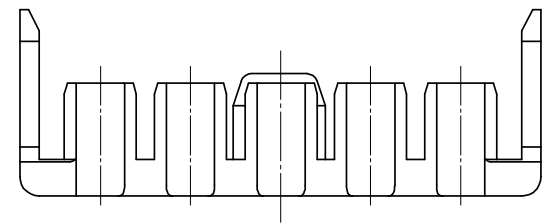
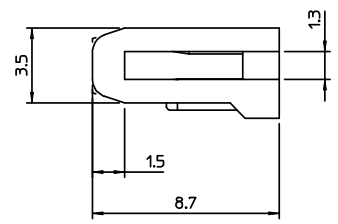
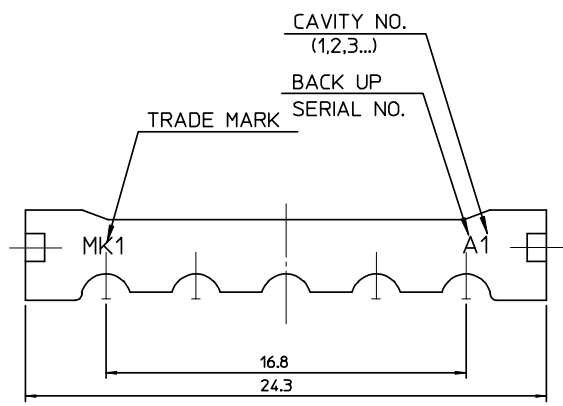
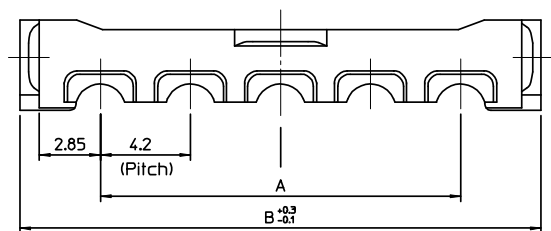


ISO METRIC VIEW



-TABLE-

49625-1182	496251182	42	49.5	11
49625-1082	496251082	37.8	45.3	10
49625-0982	496250982	33.6	41.1	09
49625-0682	496250682	21.0	28.5	06
49625-0582	496250582	16.8	24.3	05
49625-0382	496250382	8.4	15.9	03
ENG NO.	MATREIAL NO.	A	B	CIRCUIT

NOTES

1. MATERIAL : POLYAMIDE(PA66), GLASS FILLED, UL94V-HB
COLOR : RED
2. APPLICABLE TERMINAL : 5558 T2A SERIES.
5558 T SERIES.
3. MATED WITH HOUSING : 49623-**90 SERIES.
4. PRODUCT SPECIFICATION : PS-49623-001.

RELEASED EC NO: KOR2008-0134 DRWN:SKHAN01 2008/02/27 CHKD:WY YANG 2008/02/29 APPR:YUNS.IKK.IM 2008/02/29	DESCRIPTION REV	QUALITY SYMBOLS ▽=0 ▽=0	GENERAL TOLERANCES (UNLESS SPECIFIED) <table border="1"> <tr> <td></td> <td>mm</td> <td>INCH</td> </tr> <tr> <td>4 PLACES</td> <td>± ---</td> <td>± ---</td> </tr> <tr> <td>3 PLACES</td> <td>± ---</td> <td>± ---</td> </tr> <tr> <td>2 PLACES</td> <td>± 0.3</td> <td>± ---</td> </tr> <tr> <td>1 PLACE</td> <td>± 0.3</td> <td>± ---</td> </tr> </table>		mm	INCH	4 PLACES	± ---	± ---	3 PLACES	± ---	± ---	2 PLACES	± 0.3	± ---	1 PLACE	± 0.3	± ---	DIMENSION STYLE MM ONLY DRAWN BY SK.HAN DATE 2008/01/29 CHECKED BY WY.YANG DATE 2008/01/29 APPROVED BY EH.JUNG DATE 2008/01/29 MATERIAL NO.	SCALE 4:1 DESIGN UNITS METRIC TITLE 4.2MM W/W TPA CONN. UPPER TPA FOR MALE HOUSING MOLEX MOLEX INCORPORATED DOCUMENT NO. SD-49625-001 SHEET NO. 1 OF 1	THIRD ANGLE PROJECTION
			mm	INCH																	
		4 PLACES	± ---	± ---																	
		3 PLACES	± ---	± ---																	
2 PLACES	± 0.3	± ---																			
1 PLACE	± 0.3	± ---																			
DRAFT WHERE APPLICABLE MUST REMAIN WITHIN DIMENSIONS			SEE TABLE	THIS DRAWING CONTAINS INFORMATION THAT IS PROPRIETARY TO MOLEX INCORPORATED AND SHOULD NOT BE USED WITHOUT WRITTEN PERMISSION																	
ANGULAR ± 3 °			SIZE A3																		
A																					