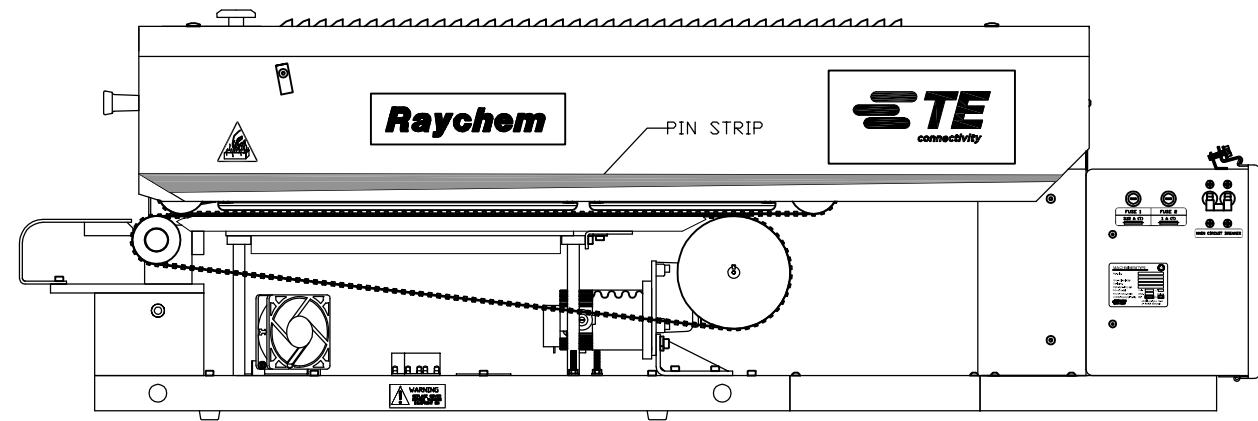
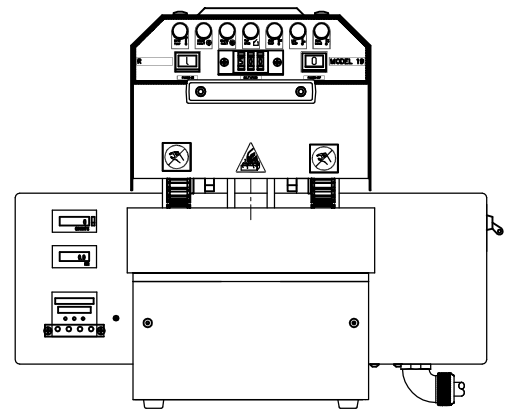
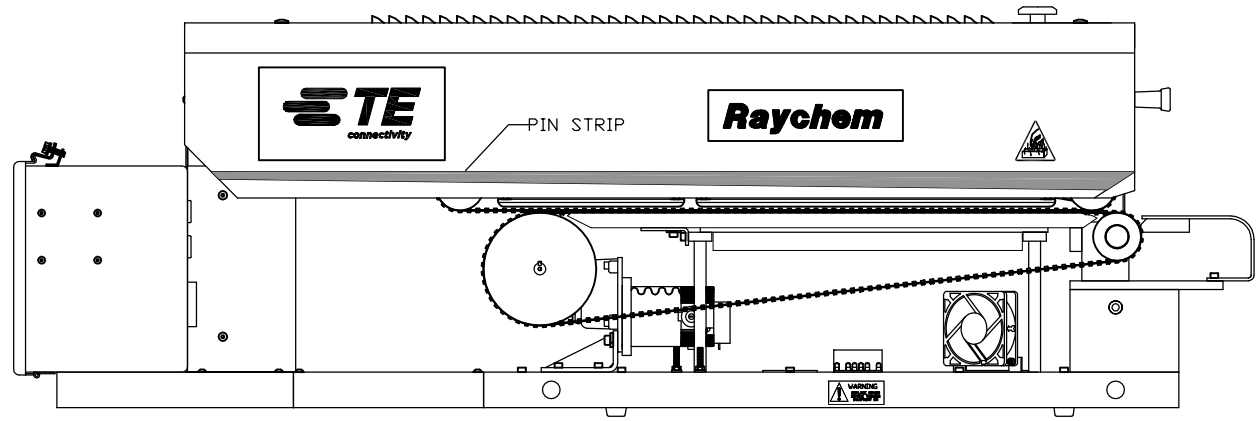


THIS DRAWING IS UNPUBLISHED.		RELEASED FOR PUBLICATION	
© COPYRIGHT BY TYCO ELECTRONICS CORPORATION. ALL INTERNATIONAL RIGHTS RESERVED.			
PART NUMBER	REV	FIRST USED	
1190562-8	B	-	

REVISIONS				
P	LTR	DESCRIPTION	DATE	APVD
B		ECR-15-014656	11JAN2016	MY RK



NOTE:

1. REF DRAWING 14-81262-1 FOR SPARE PARTS.

THIS DRAWING IS A CONTROLLED DOCUMENT.		DWN: M. YOUNGER 06FEB2014	
		CHK: R. KEENEY 26FEB2014	
DIMENSIONS: mm		APVD: R. KEENEY 26FEB2014	NAME: MODEL 19 BELT HEATER
TOLERANCES UNLESS OTHERWISE SPECIFIED:		PRODUCT SPEC: ---	HEAT-SHRINKABLE TUBING CONVEYOR HEATER
0 PLC ± -		APPLICATION SPEC: ---	6-INCH VERSION 208-240 VOLTS
1 PLC ± -		SIZE: A2	RESTRICTED TO: ---
2 PLC ± -		CAGE CODE: 00779	
3 PLC ± -		DRAWING NO: C=1190562-8	
4 PLC ± -		WEIGHT: 86 kg	
ANGLES: ± -		CUSTOMER DRAWING	SCALE: SHEET 1 OF 1 REV B
FINISH: ---			