

Disconnect Switch

Fusible, 200-800A, 600V

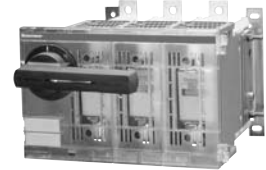
FD200 through FD800



FD200J3



FD400J3



FD600J3, FD800L3

Catalog Symbols*: FD200J3, FD400J3, FD600J3, FD800L3

Ampere Rating: 200, 400, 600, 800 Amperes

Voltage Rating: 600 Volts

Agency Approvals:

UL Listed, Guide WPZX, File E155130

CSA Certified, File 58077M9

IEC 947-1

General Information:

Bussmann fused disconnect switches are UL 98/CSA 22.2 No. 4 devices. This makes them suitable for use on service equipment, panel boards, switchboards, industrial control equipment, motor control centers, etc.

*Catalog symbol is for **switch only**. Handles and shafts are ordered separately.

| Fuse Type | Maximum Horsepower Rating | Maximum Horsepower Rating | | | | |
|-----------|---------------------------|---------------------------|------|------|------|------|
| | | 200V | 208V | 240V | 480V | 600V |
| FD200J3 | J† | 50 | 50 | 60 | 125 | 150 |
| FD400J3 | J† | 100 | 125 | 125 | 250 | 350 |
| FD600J3 | J† | 150 | 150 | 200 | 400 | 500 |
| FD800L3 | L | 200 | 200 | 250 | 500 | 600 |

†Class J fuses are standard. For 600V, Class T fuses, see table below.

Class T Adapters

| | |
|------|-------|
| 200A | BDTA2 |
| 400A | BDTA4 |
| 600A | BDTA6 |

CE logo denotes compliance with European Union Low Voltage Directive (50-1000 VAC, 75-1500 VDC). Refer to BIF document #8002 or contact Bussmann Application Engineering at 314-527-1270 for more information.

Components:

Handles

| Style | NEMA Type | Color | Grip Length (Inches) | Marking | Padlockable | Defeatable | Catalog Number |
|-----------------------------------|------------------|-------|----------------------|---------|-------------|------------|----------------|
| 200A (□ 0.47" x 0.47") | | | | | | | |
| Pistol | 1, 3R, 12 | Blk | 4.72 | Off/On | Yes | Yes | BDH53 |
| 200-800A (□ 0.47" x 0.47") | | | | | | | |
| Pistol | 1, 3R, 12 | Blk | 5.71 | Off/On | Yes | Yes | BDH16 |
| Pistol | 1, 3R, 4, 4X, 12 | Blk | 5.71 | Off/On | Yes | No | BDH35 |

Terminal Lug Kits - Kit Includes 6 Lugs

| Amp Rating | Wire Size | Wire Type | Kit Catalog Number |
|------------|--------------------|-----------|--------------------|
| 200 | #6 - 300 kcmil | Cu/Al | BDTL25 |
| 400 | #2 - 600 kcmil | Cu/Al | BDTL26 |
| 600 & 800 | (2) #2 - 600 kcmil | Cu/Al | BDTL27 |

Shafts

| Mounting Depth** | Shaft Length | Catalog Number |
|---|--------------|----------------|
| 200 - 400 Amps (□ 0.47" x 0.47") | | |
| 7.87 - 12.20 | 8.66 | BDS220 |
| 9.05 - 13.38 | 9.84 | BDS250 |
| 10.22 - 14.54 | 11.00 | BDS280 |
| 12.0 - 16.32 | 12.78 | BDS325 |
| 14.78 - 19.10 | 15.56 | BDS395 |
| 17.53 - 21.85 | 18.31 | BDS465 |
| 20.28 - 24.62 | 21.06 | BDS535 |
| 600 - 800 Amps (□ 0.47" x 0.47") | | |
| 10.04 - 12.83 | 9.84 | BDS250 |
| 11.20 - 14.00 | 11.00 | BDS280 |
| 12.98 - 15.77 | 12.78 | BDS325 |
| 15.76 - 18.55 | 15.56 | BDS395 |
| 18.51 - 21.30 | 18.31 | BDS465 |
| 21.06 - 24.08 | 21.06 | BDS535 |

**Mounting depth is the distance from the outside of door to the disconnect switch mounting plate. Shaft can be cut to desired length.

Accessories:

Fuse Covers and Terminal Shrouds (line-side)

| Amp Rating | Switch Type | | Fuse Covers Catalog Number | Terminal Shrouds Catalog Number |
|------------|-------------|---------|----------------------------|---------------------------------|
| | Fuse Type | Voltage | | |
| 200 | J or T | 600V | BFDC200† | BDTSF2 |
| 400 | J | 600V | BFDC400† | BDTSF4 |
| 600, 800 | J or L | 600V | BFDC600† | BDTSF6 |

†Fuse covers come standard on 200-800 amp switches.

Auxiliary Contacts - F200 through F800

| Switch Amp Rating | Aux. Contact Amp Rating | Voltage | 1 N.O. & 1 N.C. Catalog Number | 2 N.O. & 2 N.C. Catalog Number |
|-------------------|-------------------------|---------|--------------------------------|--------------------------------|
| 200-800 | 10 | 600 | BDAUX1 | BDAUX2 |

The only controlled copy of this BIF document is the electronic read-only version located on the Bussmann Network Drive. All other copies of this document are by definition uncontrolled. This bulletin is intended to clearly present comprehensive product data and provide technical information that will help the end user with design applications. Bussmann reserves the right, without notice, to change design or construction of any products and to discontinue or limit distribution of any products. Bussmann also reserves the right to change or update, without notice, any technical information contained in this bulletin. Once a product has been selected, it should be tested by the user in all possible applications.

Disconnect Switch

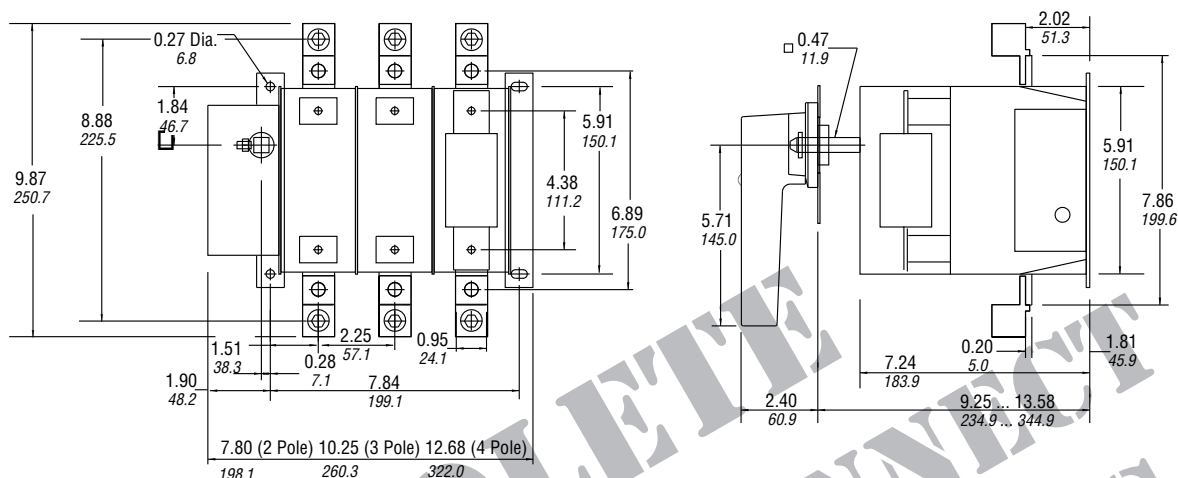
Fusible, 200-800A, 600V

FD200 through FD800

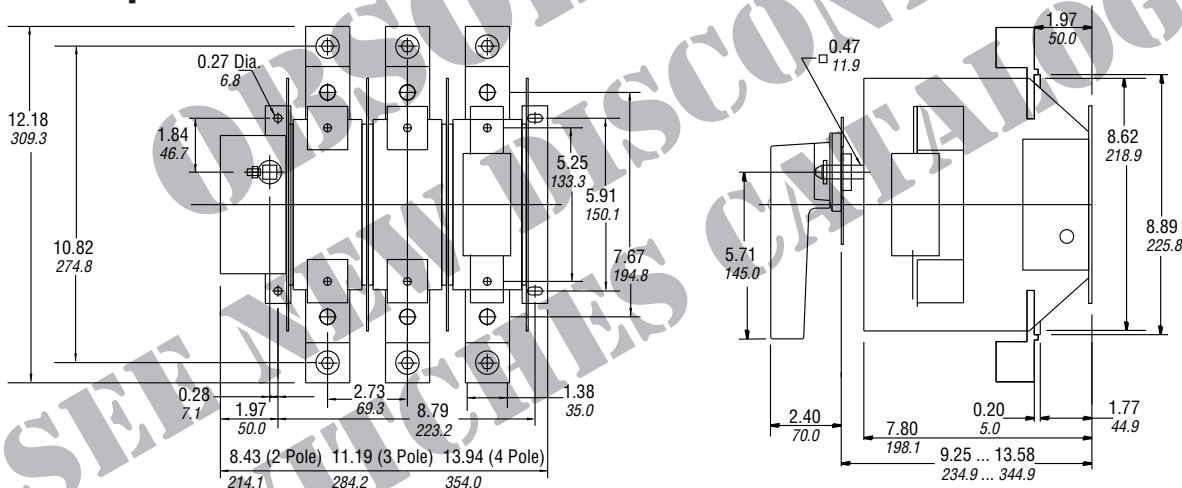
Dimensional Data

00.00 Inches
00.0 Millimeters

200 Amps



400 Amps



600 & 800 Amps

